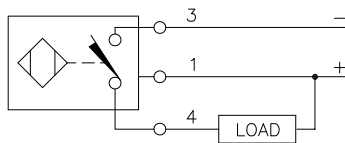
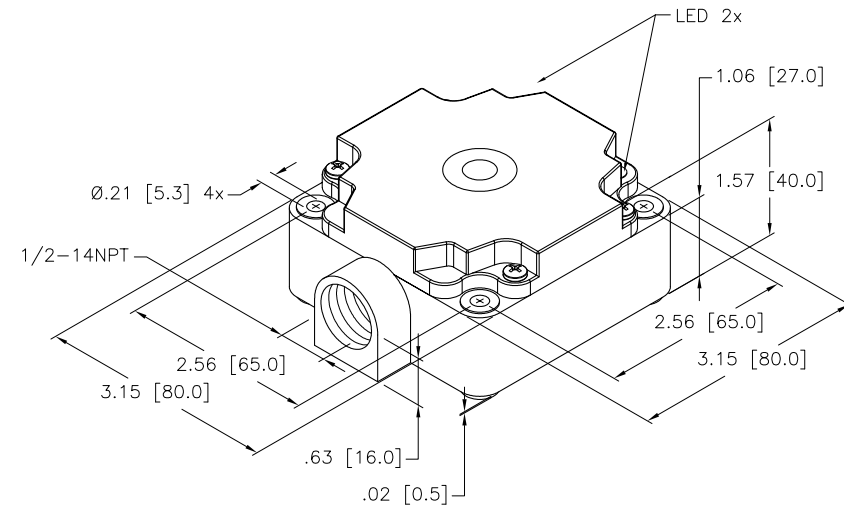


OPERATING VOLTAGE	3-WIRE DC, 10-30 VDC, SINKING CURRENT
OUTPUT FUNCTION.....	NORMALLY OPEN
EMBEDDABLE	NO
RATED OPERATING DISTANCE.....	75 mm
APPROVAL OR CERTIFICATION.....	CSA (C US), CE
SHORT-CIRCUIT PROTECTION.....	YES
WELD-FIELD IMMUNITY.....	YES
SWITCHING FREQUENCY.....	250 Hz
RIPPLE	≤10%
DIFFERENTIAL TRAVEL <HYSTERESIS>.....	3-15% (5% TYPICAL)
VOLTAGE DROP ACROSS CONDUCTING SENSOR.....	≤1.8 V AT 200 mA
TRIGGER CURRENT FOR OVERLOAD PROTECTION.....	≥220 mA
CONTINUOUS LOAD CURRENT.....	≤200 mA
OFF-STATE <LEAKAGE> CURRENT.....	≤10 μA
NO LOAD CURRENT.....	≤15 mA
TIME DELAY BEFORE AVAILABILITY.....	≤8 ms
POWER-ON EFFECT.....	PER IEC 947-5-2
REVERSE-POLARITY PROTECTION.....	INCORPORATED
WIRE-BREAK PROTECTION.....	INCORPORATED
TRANSIENT PROTECTION.....	PER EN 60947-5-2
OPERATING TEMPERATURE <10% DRIFT>.....	-25°C TO +70°C (-13°F TO + 158°F)
OPERATING TEMPERATURE <15% DRIFT>.....	-30°C TO +85°C (-22°F TO + 185°F)
SHOCK.....	30 g, 11 ms
VIBRATION.....	55 Hz, 1 mm AMPLITUDE (ALL 3 PLANES)
REPEATABILITY.....	≤2% OF RATED OPERATING DISTANCE
NUMBER OF LEDS.....	2
LED FUNCTION <YELLOW>.....	OUTPUT ENERGIZED
LED FUNCTION <GREEN>.....	POWER ON
LED FUNCTION <FLASHING GREEN>.....	SHORT-CIRCUIT INDICATION
ENCLOSURE.....	MEETS NEMA 1,3,4,6,13, AND IEC IP 67
CONNECTION.....	½-14 NPT CONDUIT FITTING
HOUSING MATERIAL.....	PBT-GF30-V0 PLASTIC
TERMINAL CHAMBER COVER MATERIAL.....	TROGAMID T



Uprox



SOURCE DRAWING - FOR REFERENCE ONLY

NOTE: ALL DIMENSIONAL TOLERANCES ±1.0 mm.

RELATED DOCUMENTS		3RD ANGLE PROJECTION		THIS DRAWING IS PROPERTY OF TURCK INC. USE OF THIS DOCUMENT WITHOUT WRITTEN PERMISSION IS PROHIBITED.		TURCK INC High Technology Sensors and Automation Controls 3000 CAMPUS DRIVE MINNEAPOLIS, MN 55441 1-800-544-7769 (763) 553-7300 (763) 553-0708 fax turck.com	
1. 2. 3. 4.				DRFT CBM		DATE 09/13/00	
MATERIAL		ALL DIMENSIONS DISPLAYED ON THIS DRAWING ARE FOR REFERENCE ONLY		DSGN		DESCRIPTION Ni75U-CP80-AN6X2	
FINISH		CONTACT TURCK FOR MORE INFORMATION		UNIT OF MEASUREMENT INCH [MILLIMETER]		SCALE NONE	
A		DRAWING RELEASE		CBM		IDENTIFICATION NO. M1623811	
REV		DESCRIPTION		BY		DATE	
		ECO NO.		DO NOT SCALE THIS DRAWING		REV A	
				FILE: M1623811		SHEET 1 OF 1	